

# ΩMEGA NOMIC

POWERED BY

*GT Omega*®



## CORE ONE

### Assembly Guide

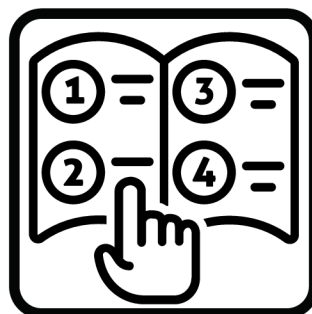
Recommended

**1 Person**



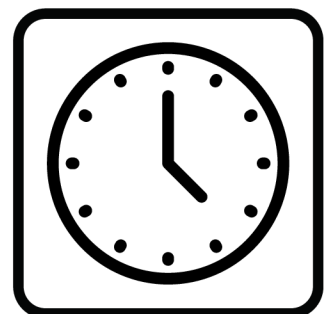
Read Instructions

**3 Minutes**



Assembly Time

**10 Minutes**



# TABLE OF CONTENTS

---

PAGE 1

NOTICES

---

PAGE 2

WHAT'S IN THE BOX

---

PAGE 3 - 5

ASSEMBLY INSTRUCTIONS

---



**Need Help?** We're here for you! Contact our support team:



# WARNING



Do not exceed  
weight capacity  
of **136KG**



Do not stand  
on the chair.



Keep hands  
away from  
moving parts



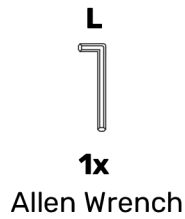
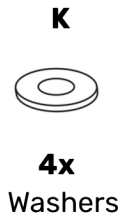
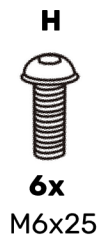
FAILURE TO COMPLY WITH OR OBSERVE ALL ASSEMBLY, SAFETY, AND OPERATION INSTRUCTIONS REGARDING THE USE OF THIS PRODUCT MAY RESULT IN **PROPERTY DAMAGE OR BODILY INJURY.**

- This document contains important safety regulations. Any non-conforming use may result in personal injury or mechanical damage.
- Please read this user manual carefully before use as it provides key information about safety, use, assembly and maintenance of the chair.
- Ensure that you have received all parts according to the part checklist prior to installation. If any parts are missing or faulty, contact the GT Omega support team for replacements.
- **Do not** over tighten the screws during installation.
- This product contains small items that could be a choking hazard if swallowed. Keep these items away from children.
- This product is designed for indoor use only. Using the product outdoors could lead to product failure and personal injury
- Alteration or modification of any factory components outlined in the checklist will automatically void your warranty
- Place the chair away from corrosive gas, water and dusty environments.

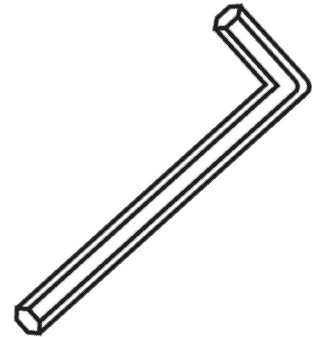
This chair is designed for indoor use and dry work areas only. Under no circumstances does the manufacturer accept warranty claims or liability claims for damages caused from improper use or handling of the chair.

# WHAT'S IN THE BOX

## Hardware



## Tools Required

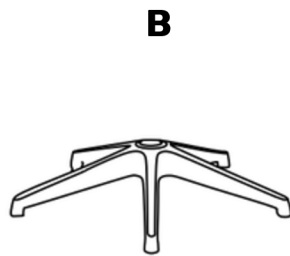


Allen Wrench  
(Included)

## Components



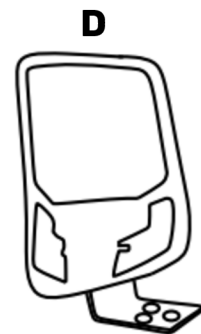
**5x**  
Caster Wheels



**1x**  
Star Base



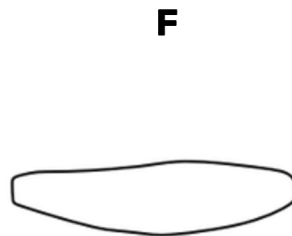
**1x**  
Piston



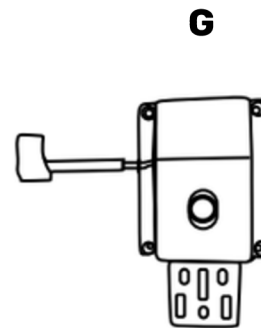
**1x**  
Chair Back



**2x**  
Arm Rests



**1x**  
Chair Base

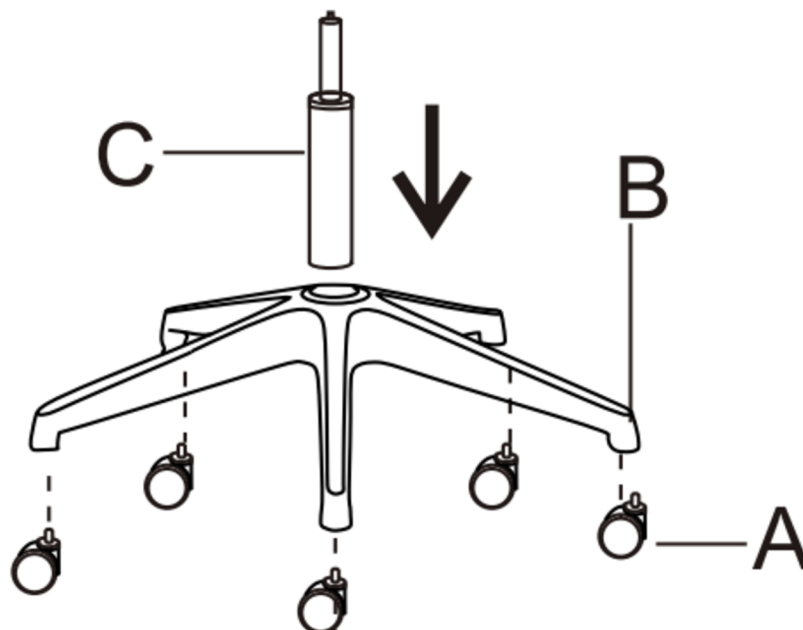


**1x**  
Chair Mechanism

# ASSEMBLY INSTRUCTIONS

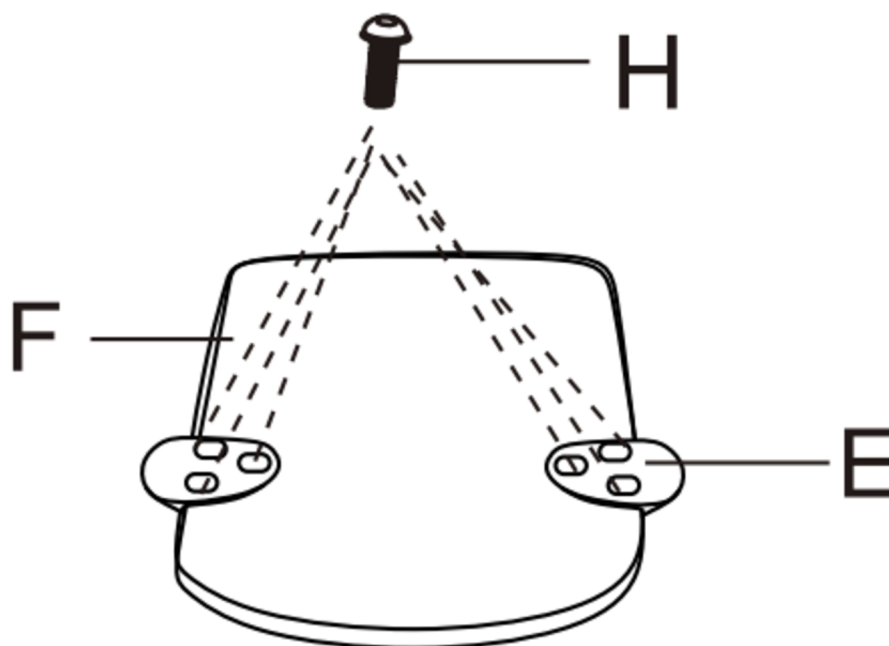
---

1



Add the wheels and piston to the starbase.

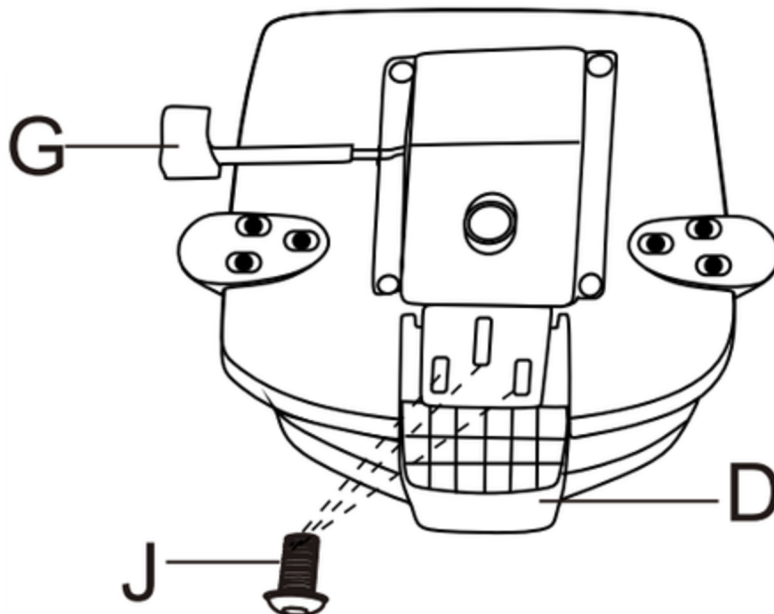
2



Use bolts to fix the arm rests to the underside of the seat base.

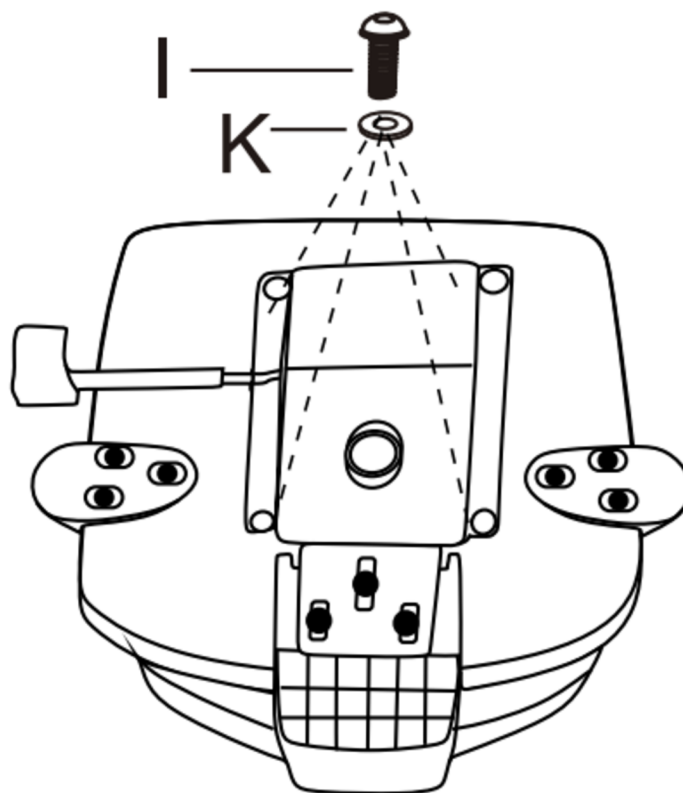
# ASSEMBLY INSTRUCTIONS

3



While holding the mechanism in place, attach the chair back using the bolts provided.

4

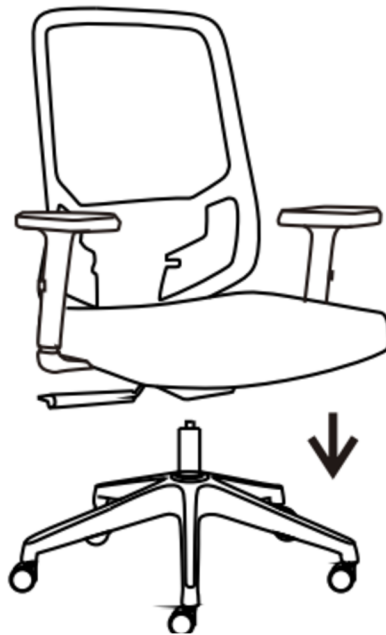


Bolt the seat mechanism to the underside of the seat base

# ASSEMBLY INSTRUCTIONS

---

5



Place the seat mechanism on to the piston. Sit on the chair to ensure it connects fully.

6



Your **CORE ONE** chair is now ready to be used!

# Complete your home setup



## CORE Sit/Stand Desks

A sturdy, height adjustable desk. Keep your workspace clutter free with built-in cable management, so you can focus on what matters. Available in both manual and electronic options to suit your setup.



## AXIS Monitor Arms

Built for flexibility and strength. Smooth gas spring adjustment, full rotation, and tilt let you dial in the perfect viewing angle for any setup. Quick to install and compatible with standard VESA mounts.



## Floor Pad

This durable floor pad prevents scratches and scuffs to your floor while providing a stable, non slip base for your chair. With a soft, cushioned surface and water resistant finish, it is built for comfort.



## WAVE Mouse Mat

A clean, minimal mouse mat designed for smooth, precise movement. The premium cloth surface offers accurate tracking, while cushioned padding adds comfort during long session

**ΩMEGA NOMIC**  
POWERED BY  
**GT Omega®**