

# ΩMEGA *NOMIC*

POWERED BY

*GT Omega*<sup>®</sup>



*OmegaNOMIC*

**ON-22 Ergonomic Chair**

[www.gtomega.co.uk](http://www.gtomega.co.uk)

---

# TABLE OF CONTENTS

---

PAGE 1

NOTICES

---

PAGE 2

WHAT'S IN THE BOX

---

PAGE 3 - 6

ASSEMBLY INSTRUCTIONS

---




**Need Help?** We're here for you! Contact our support team:



 [SupportUK@gtomega.com](mailto:SupportUK@gtomega.com)

*Handling times targeted at 24 hours.  
Please allow time for a response.*

 (+44)0141-370-6780

*Monday - Friday  
9am - 4pm (Glasgow, Scotland)*

# WARNING



Do not exceed  
weight capacity  
of **136KG**



Do not stand  
on the chair.



Keep hands  
away from  
moving parts



FAILURE TO COMPLY WITH OR OBSERVE ALL ASSEMBLY, SAFETY, AND OPERATION INSTRUCTIONS REGARDING THE USE OF THIS PRODUCT MAY RESULT IN **PROPERTY DAMAGE OR BODILY INJURY.**

- This document contains important safety regulations. Any non-conforming use may result in personal injury or mechanical damage.
- Please read this user manual carefully before use as it provides key information about safety, use, assembly and maintenance of the chair.
- Ensure that you have received all parts according to the part checklist prior to installation. If any parts are missing or faulty, contact the GT Omega support team for replacements.
- **Do not** over tighten the screws during installation.
- This product contains small items that could be a choking hazard if swallowed. Keep these items away from children.
- This product is designed for indoor use only. Using the product outdoors could lead to product failure and personal injury
- Alteration or modification of any factory components outlined in the checklist will automatically void your warranty
- Place the chair away from corrosive gas, water and dusty environments.

This chair is designed for indoor use and dry work areas only. Under no circumstances does the manufacturer accept warranty claims or liability claims for damages caused from improper use or handling of the chair.

# WHAT'S IN THE BOX

## Hardware

**H**



**6x**  
M6x30

**I**



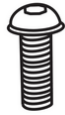
**4x**  
M6x20

**J**



**3x**  
M8x40

**K**



**2x**  
M6x25

**Q**



**10x**  
M6x16

**N**



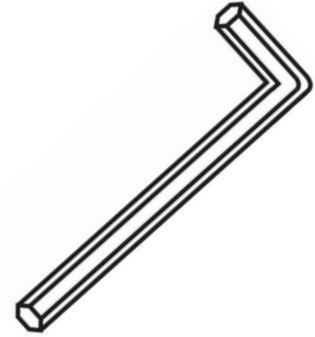
**10x**  
Washers

**R**



**1x**  
Allen Wrench

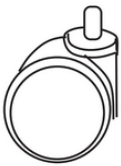
## Tools Required



Allen Wrench  
*(Included)*

## Components

**A**



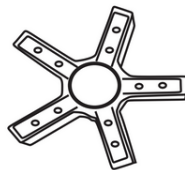
**5x**  
Caster Wheels

**F**



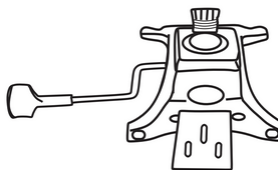
**1x**  
Chair Base

**B**



**1x**  
Star Base

**G**



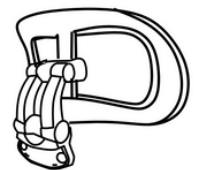
**1x**  
Chair Mechanism

**C**



**1x**  
Piston

**M**



**1x**  
Headrest

**D**



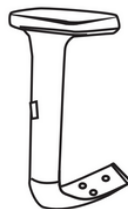
**1x**  
Chair Back

**L**



**1x**  
Screw Cover

**E**



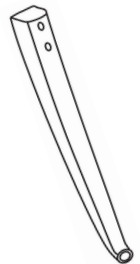
**2x**  
Arm Rests

**O**



**1x**  
Star Base Cover

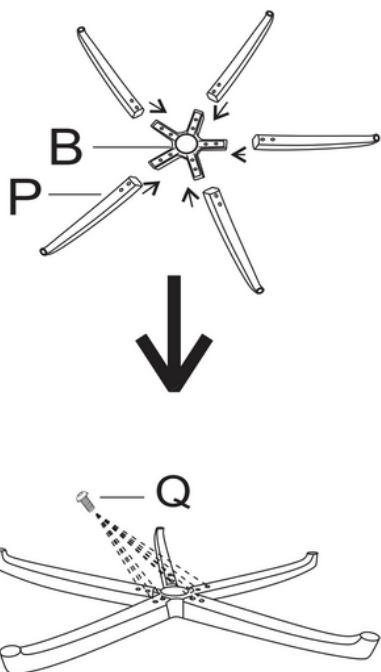
**P**



**5x**  
Chair Legs

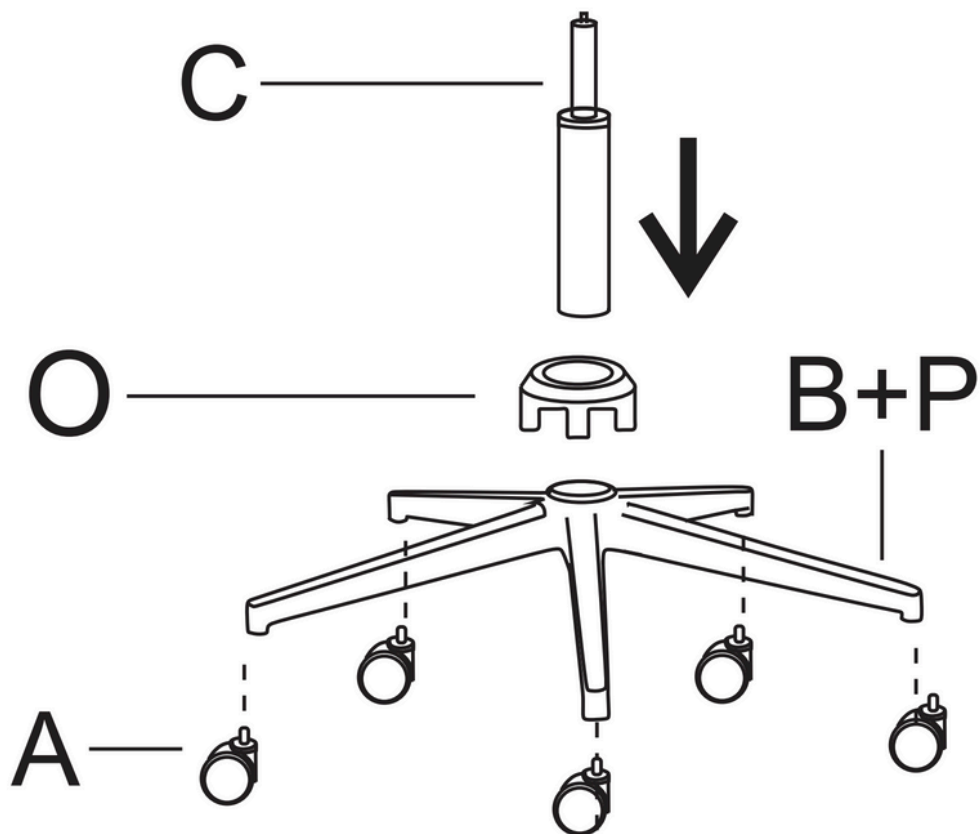
# ASSEMBLY INSTRUCTIONS

1



- Fully assemble Starbase

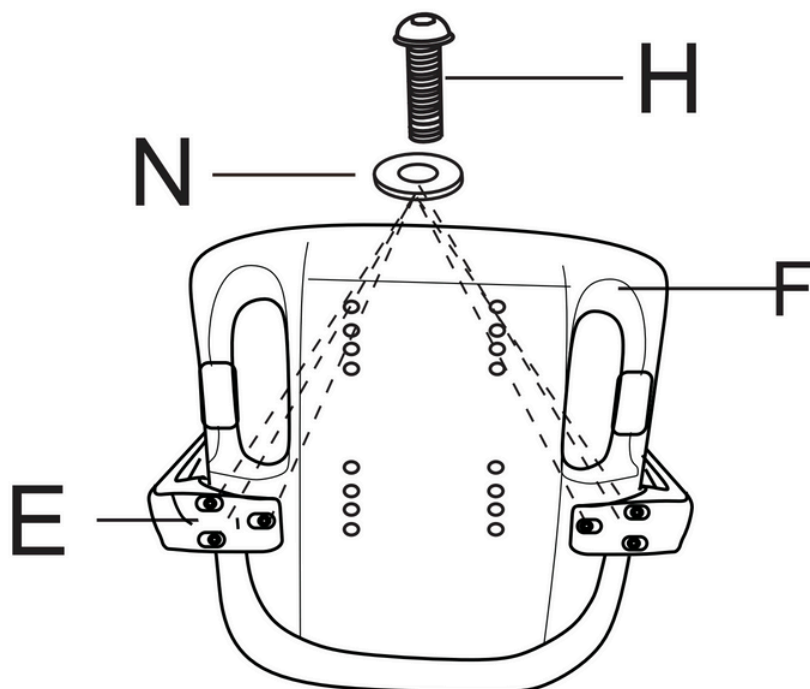
2



- Attach wheels, cover, and piston

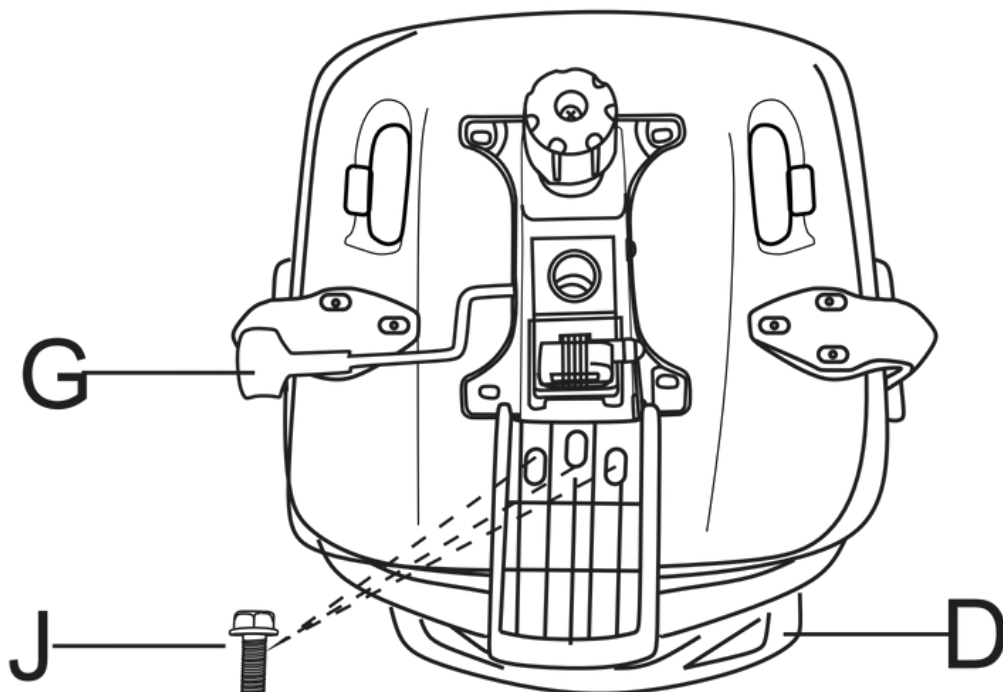
# ASSEMBLY INSTRUCTIONS

3



- Attach arms to the seat base

4



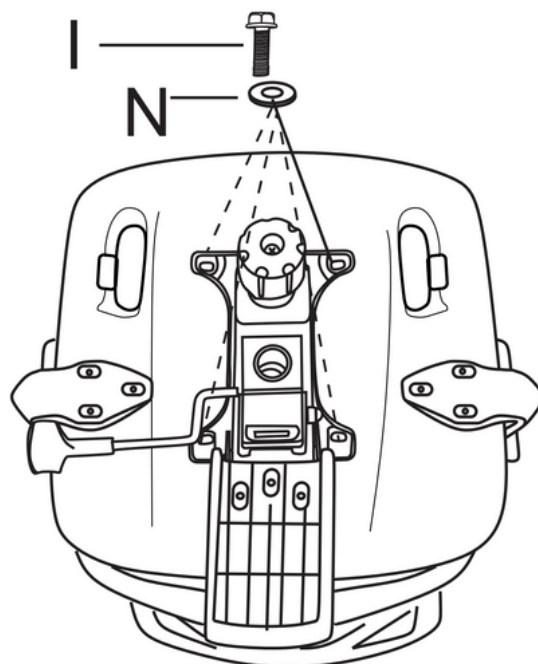
- While holding the mechanism in place, attach the chair back.

⚠ Avoid over-tightening screws. As this may damage the product.

# ASSEMBLY INSTRUCTIONS

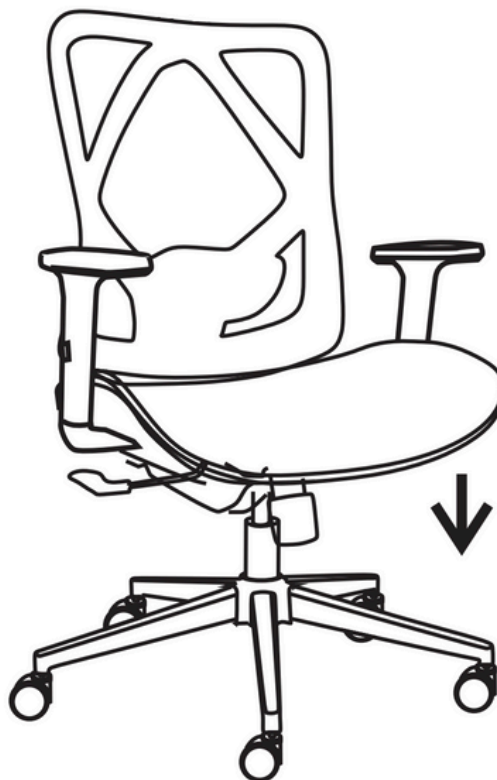
---

5



- Secure the mechanism

6



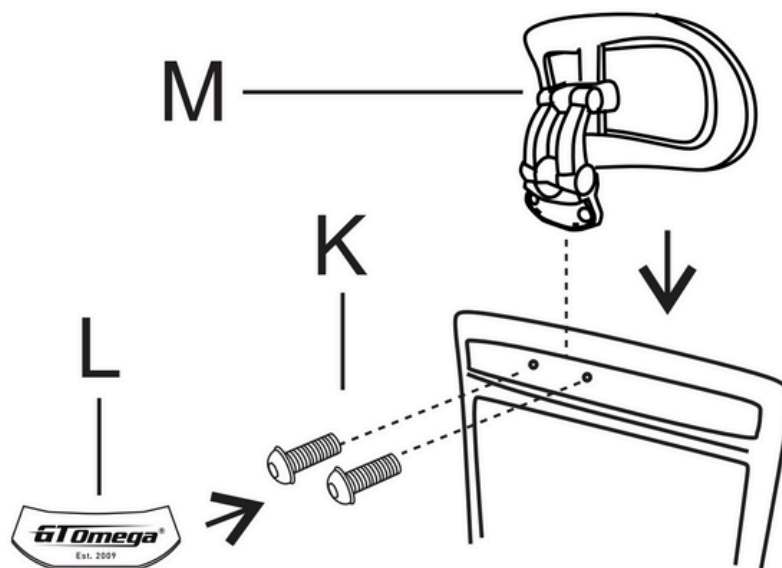
- Place the seat on top of the piston



Avoid over-tightening screws. As this may damage the product.

# ASSEMBLY INSTRUCTIONS

7



- Attach the headrest and screw cover

8



- Your ON-22 is now fully assembled



Avoid over-tightening screws. As this may damage the product.