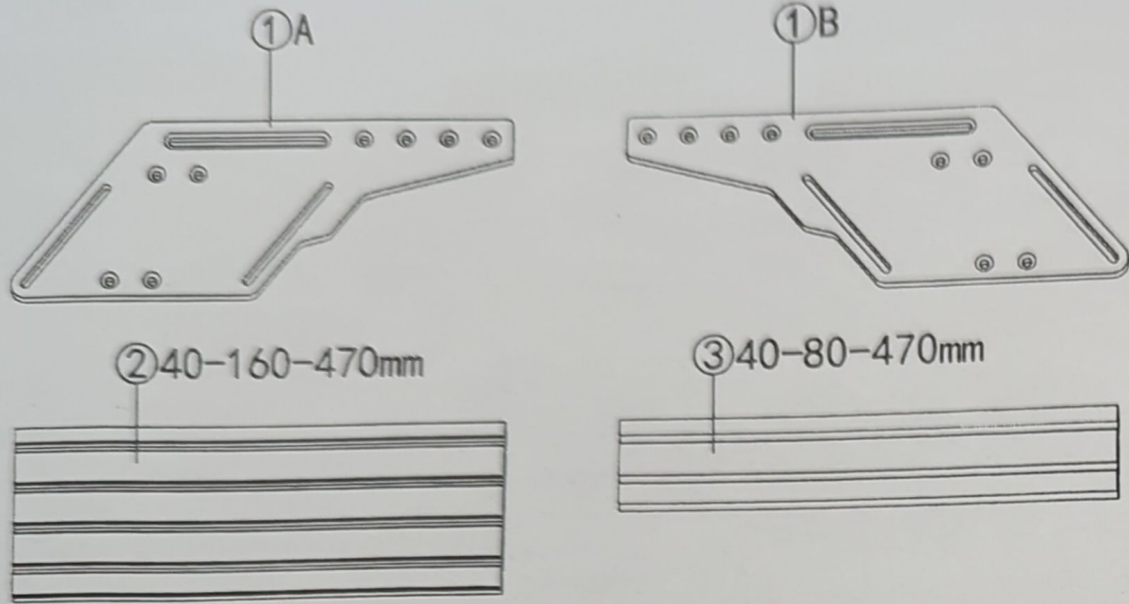


GT Omega

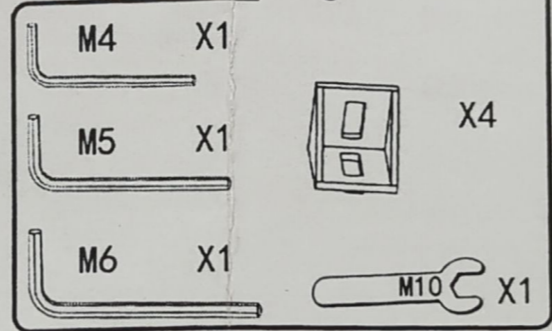
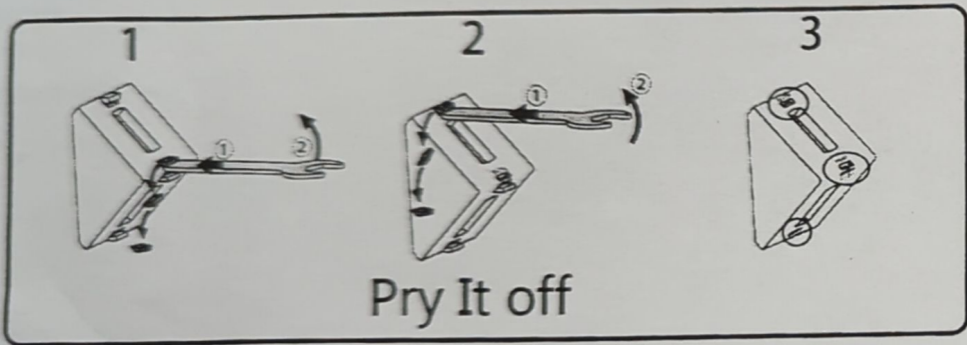
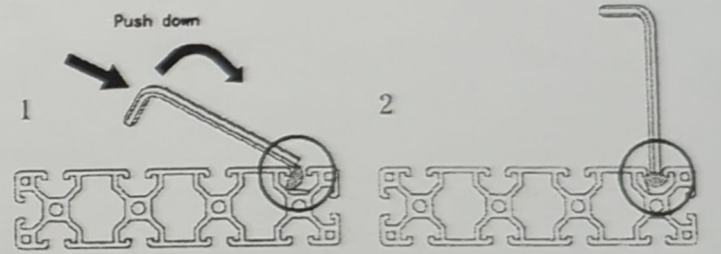


- 8*25 X12
- 8*25 X8
- M8 X12
- 8*16 X4
- 6*16 X4
- M4 X1
- M5 X1
- M6 X1
- X4
- M10 X1

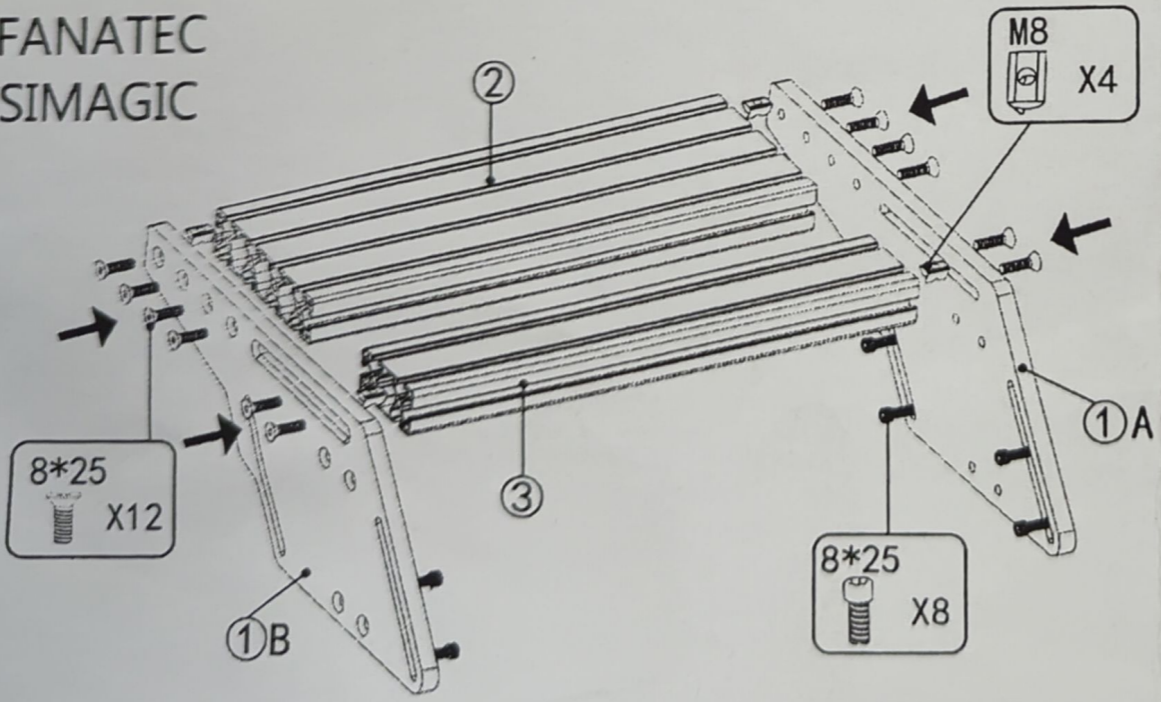
Method 1



Method 2



FANATEC
SIMAGIC



THRUSTMASTER
Logitech

